

WE'RE THE COMPANY THAT BRINGS YOU JARED...



AND JARED BRINGS YOU THE WAVERLEY GLEN C-625

The Waverley Glen C-625 delivers innovation, affordability and quality. Ceiling lifts dramatically reduce injuries resulting from the handling of patients/residents in both institutional and homecare settings. The C-625 has been designed with a full set of standard features and can be safely operated by a single caregiver.

Built for quiet operation, the C-625 provides a smooth and effortless transfer which safely enhances the working conditions of caregivers. At the press of a button, the C-625 will lift up to a maximum of 625 lbs (283 kgs) allowing maximum flexibility in the type of patients that can be transferred. For additional flexibility, powered traversing options can be included.

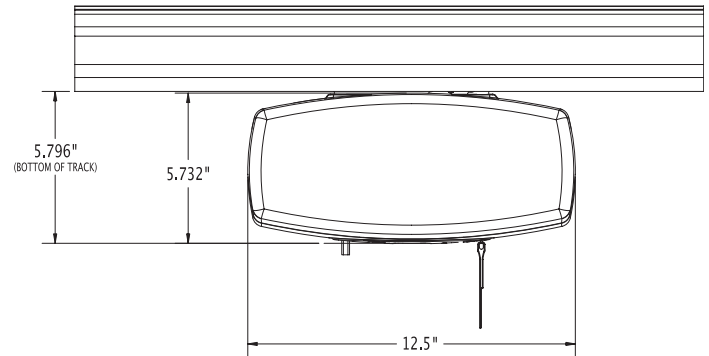
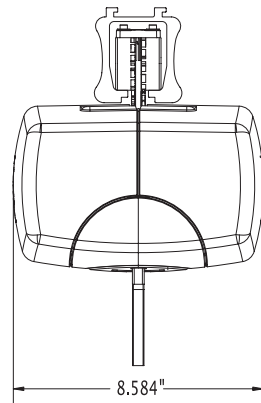
WAVERLEY GLEN
A PRISM MEDICAL COMPANY

Waverley Glen Systems Ltd.

87 Sharer Road, Vaughan, ON Canada L4L 8Z3 | T 905.660.0213 | 1.800.265.0677 | www.waverleyglen.com

WAVERLEY GLEN C-625

CEILING LIFT



WE'RE THE COMPANY THAT BRINGS YOU GREAT THINGS IN SMALL PACKAGES.

Incredibly compact but powerful, the C-625 looks good in any setting. With innovative features like a digital display and programmability, a host of standard safety features, and a modular design that allows for easy preventative maintenance, the C-625 is the most advanced ceiling lift available.

PRODUCT HIGHLIGHTS

- Smallest lift of its class which allows for at least 7" (18 cm) of additional lifting height
- Quick lifting speed to reduce patient transfer times
- Modular design for simplified maintenance
- Quick change batteries for reduced service time
- Audible low battery indicator and visual battery/charge level display
- Digital display that indicates number of lifts, battery levels, and lift status.
- Auto shut-off when not in use to conserve battery life
- 7.5' (2.2 m) foot strap vertical movement allows you to easily lift from the floor
- Emergency stop and emergency power lowering on lift
- Emergency manual raising or lowering
- Available with Return to Charge option

TECHNICAL SPECIFICATIONS

- Lift Motor: 24VDC
- Traverse Motor: 24VDC
- Charger Input: 120 VAC, 1.0 Amps
- Charger Output: 24 VDC, 1.5 Amps
- Batteries: 24 VDC (2 x 12VDC), 5.0 AH
- Lift case: Flame retardant ABS
- Hand Control: Pneumatic
- Lifting Height: Up to 84" (213 cm)
- Unit Weight: under 22 lbs (10 kgs)
- Maximum Load: Standard maximum load 450 lbs (204 kgs) or 625 lbs (283 kgs)

WAVERLEY GLEN
A PRISM MEDICAL COMPANY

Waverley Glen Systems Ltd.

87 Sharer Road, Vaughan, ON Canada L4L 8Z3 | T 905.660.0213 | 1.800.265.0677 | www.waverleyglen.com